

7 February 2018

ASX RELEASE

DroneShield Rolls Out Revolutionary Compact Radar

- **DroneShield launches a revolutionary compact, portable and mobile radar – RadarZero.**
- **A radar roughly the size of a paperback book.**
- **Complements the existing larger and longer-range RadarOne module / product.**
- **A stand-alone product as well as a module in DroneSentinel / DroneSentry multi-sensor systems.**

DroneShield Ltd (ASX:DRO) (“DroneShield” or the “Company”) is pleased to announce the launch of RadarZero, a revolutionary compact drone detection radar product. At roughly the size of a paperback book, the product can detect drones up to 750m away and sells for a fraction of the cost of the larger longer-range more conventional radars.

Because of its small formfactor, RadarZero is portable and mobile.

RadarZero complements DroneShield’s existing longer-range (larger formfactor) RadarOne product and is offered both as a standalone product and as part of the Company’s DroneSentinel drone detection and DroneSentry drone detection and mitigation platforms.

RadarZero does not replace DroneShield’s existing RadarOne module / product. Rather, it is offered as an alternative for relevant users and environments.

The details of RadarZero are set out in the attached summary. Its key highlights include:

- Significantly reduced formfactor (approximately 20cm x 16cm per unit), 1.25kg weight, making it suitable for tactical deployments.
- Resultant portability and mobility.
- A lower cost than larger radars.
- 120 degree coverage per unit, with complete coverage achieved through 3 units without requirement for mechanical movement.
- 3D data acquisition.
- 750m range.

For clarity, the product is not in development – it is fully commercialised and available.

RadarZero highlights the multi-sensor capability of the DroneSentinel and DroneSentry platforms. The roll-out of the product was undertaken in response to end-user requirements.



Image: DroneShield's RadarZero product

Further Information

Oleg Vornik
CEO and Managing Director
Email: oleg.vornik@dronesield.com
Tel: +61 2 9995 7280

About DroneShield Limited

Based in Sydney, Australia and Virginia, USA, DroneShield is a worldwide leader in drone security technology. The Company has developed the pre-eminent drone security solution that protects people, organisations and critical infrastructure from intrusion from drones. Its leadership brings world-class expertise in engineering and physics, combined with deep experience in defence, intelligence, and aerospace.

ENDS

RadarZero

COMPACT, RAPID
DEPLOYMENT RADAR

Application

Early Warning: Highly functional radar designed specifically for UAS (drone) detection. Detects small drones up to 750m.

High Track Acquisition Rate: New detection threats and radar tracks can be established in less than 1 second.

Mobile: Highly compact, lightweight design, perfect for mobile and rapid deployments.

Plug & Play: Superior onboard technology allows the RadarZero to be set up and operational in minutes. No calibration required.

Team Player: Seamlessly integrates with other detection technologies within the DroneShield GUI, enabling RadarZero's highly accurate data feed to confirm drone threats.

RadarZero has been designed to be calibration-free for fast installation and integration.

Precise tracking of airborne targets up to 750m with customizable field-of-view and real beam scanning ensures that your security team has an optimized early warning system for any site.

RadarZero provides ultra-high confidence threat detection and tracks, even in cluttered environments. It is configurable through the DroneShield User Interface.

It's the ideal detection solution for rapid deployments in any environment.



RadarZero

RadarZero

COMPACT, RAPID
DEPLOYMENT RADAR

Specifications

Performance:

Small drone tracking up to 750m (0.5 miles)
Field of View: $\geq 120^\circ$ Azimuth x 80° Elevation
Angle Resolution: $\pm 1^\circ$ Azimuth x $\pm 3^\circ$ Elevation
Frequency: 24.45 - 24.65 GHz (Multi-Channel)
Simultaneous tracking of up to 20 targets

Output Options:

IP-Based alerts (email, SMS, XML) indicating Zone detected
Operators real time GUI (Graphical User Interface)

Power and Communications:

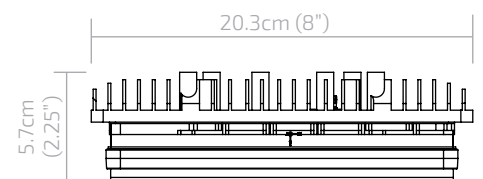
DC +9V to +32V
Operating <45W, Hot standby <10W, Hibernate TBR <100mW
Wired Gigabit Ethernet interface with IP-based control

Environment and Installation:

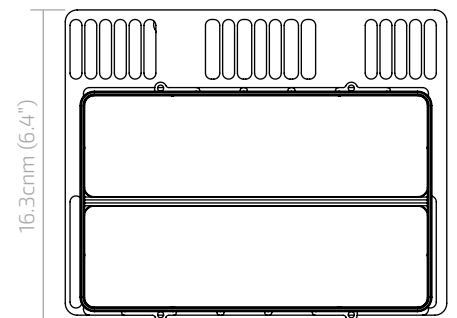
All weather design - IP68 (including connector)
Weight: 1.25kg (2.75lbs)
Operating Temperature range: -40°C to $+75^\circ\text{C}$ (-40°F to $+167^\circ\text{F}$)
Tower, mast, or tripod mountable
Mounting Holes:
VESA - 75mm & 100mm (2.952" by 3.937")
AMPS - 30mm by 38mm (1.188" by 1.813")

Maintenance:

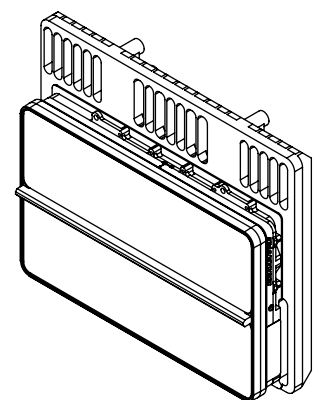
Annual manual inspection
Bi-annual vent membrane inspection



TOP VIEW



FRONT VIEW



PICTORIAL VIEW